

1 2 3 4 5 6 7 8

A

B

C

D

E

F

A

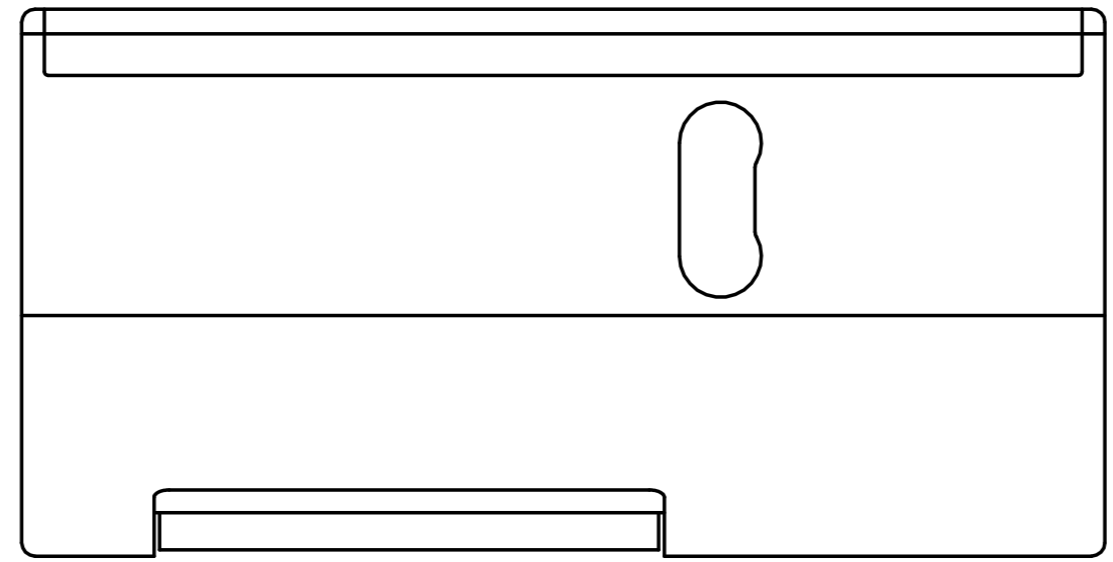
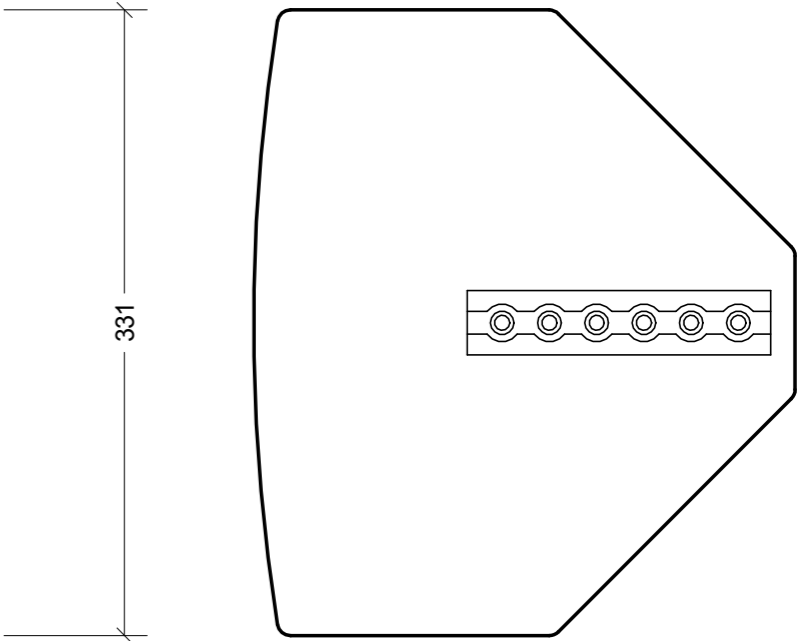
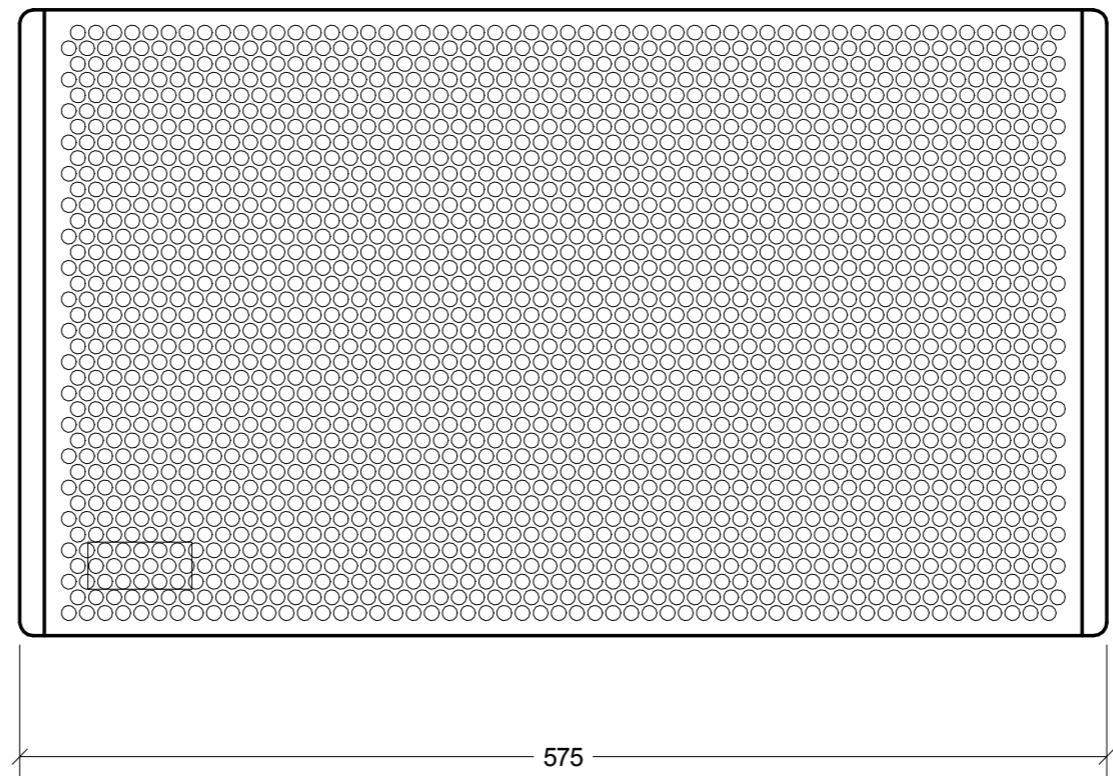
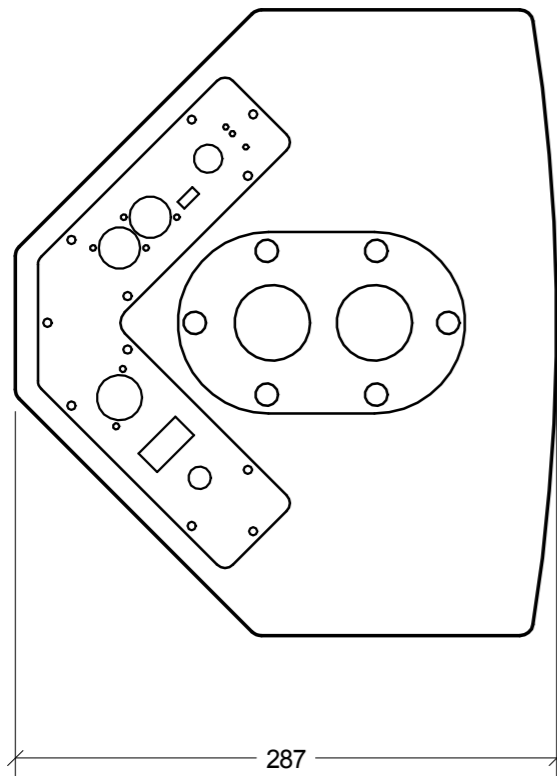
B

C

D

E

F



A 10.02.2015 Original Issue	acoustic technologies				
	Drawn R. Faint	Checked	Approved	Revision A	Scale 1:3
	SCX24A GENERAL ARRANGEMENT			Sheet 1 of 1	
				AT-A3-712	

1 2 3 4 5 6 7 8